

# wilson MPISV

## MAINS PRESSURE STORAGE VESSELS

Wilson manufactures high quality, long service life vessels, for projects that require large commercial/residential hot water storage. Installations such as Nursing Homes, Hospitals, Colleges, Apartment Buildings etc. will benefit from the small footprint offered by the Wilson MPISV vessel.

The MPISV vessel is manufactured in sizes ranging from 400 litres to a generous 3,000 litres. These vessels can be connected to the mains pressure water supply and are suitable for use with other hot water systems. For example, used as a buffer tank with a boiler or solar system. These tanks can also be used for chilled water storage.

Cylinders are manufactured from Duplex 2205 Stainless Steel. The outer case manufactured in white Colourbond Steel with mist green ends.

All MPISV's are pickled, to remove scale and discolouration and then passivated, to ensure a more corrosion resistant surface.



- duplex 2205 stainless steel
- watermark approved
- polyurethane insulation
- 20 year warranty\*
- design registration no.V0420200

DESIGN DATA			
DESIGN STANDARD	AS 1210 - 1997	CLASSIFICATION	2B
DESIGN LIFE	INDEFINITE	HAZARD LEVEL (AS 4343-1999)	C
DESIGN TEMPERATURE (max)	96 °C	DESIGN TEMPERATURE (minimum)	1 °C
DESIGN PRESSURE (max)	700 kPa	DESIGN PRESSURE (minimum)	0 kPa
SUPPLY PRESSURE	560 kPa	CORROSION ALLOWANCE (internal)	0.0 mm
HYDROSTATIC TEST PRESSURE	1200 kPa	TEST MEDIUM: Clean Water between	7 - 45 °C

\* Refer to warranty card for details.

Freecall 1800 302 050 Phone: +61 3 9720 2888 Fax: +61 3 9720 2026  
[sales@wilsonhotwater.com.au](mailto:sales@wilsonhotwater.com.au) [www.wilsonhotwater.com.au](http://www.wilsonhotwater.com.au)



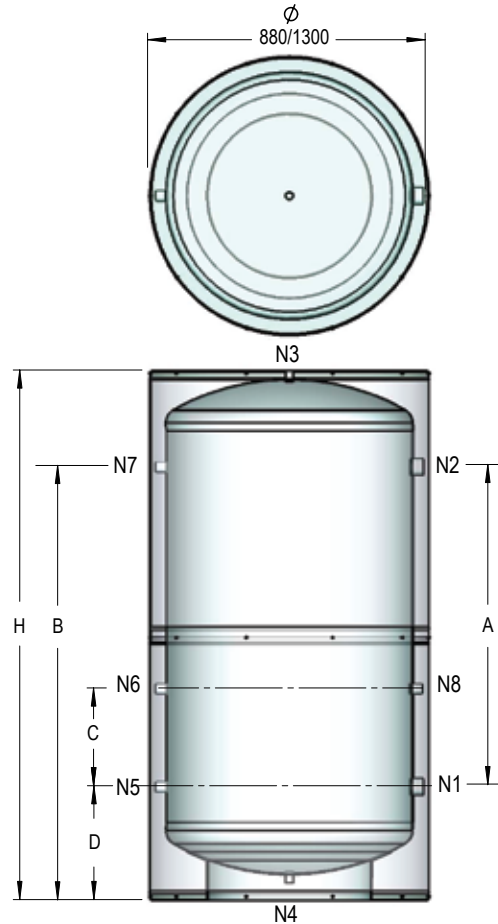
# wilson MPISV

## MAINS PRESSURE STORAGE VESSELS

Vessels can be installed in multiple banks if greater storage capacity is required.

The MPISV vessel manufactured by Wilson is provided with a 20 year manufacturers warranty\*. Solar flow and return or other additional sizes, flanges and fittings are available.

The installation of a cold water expansion valve is recommended as per AS3500 or to the relevant Authorities requirements.



## technical data

STANDARD CONNECTIONS			OPTIONAL CONNECTIONS	
FITTING	SIZE	NOMINAL CONNECTIONS	FITTING	SIZE
N1	DN 50 2" BSP Socket	Inlet to boiler	N4	DN 25 1" BSP Socket
N2	DN 50 2" BSP Socket	Outlet	N5	DN 25 1" BSP Socket
N3	DN 25 1" BSP Socket	Outlet	N6	DN 25 1" BSP Socket
N7	DN 25 1" BSP Socket	PTR Valve		
N8	DN 50 2" BSP Socket	From Boiler		

All socket connections meet specification: ANSI B16.5 x CLASS 3000 BSP.

	MPISV0400S	MPISV0650S	MPISV0800S	MPISV1000S	MPISV1500S	MPISV2000S	MPISV2500S	MPISV3000S
CAPACITY (L) Est.kg	410	659	801	1037	1500	2000	2500	3000
HEIGHT (H) Est.mm	1090	1640	1940	2440	1840	2280	2740	3190
DIAMETER mm	880	880	880	880	1300	1300	1300	1300
WEIGHT EMPTY Est.kg	115	140	159	182	260	310	360	400
DIMENSION (A) mm	430	980	1280	1780	980	1420	1870	2320
DIMENSION (B) mm	780	1330	1630	2130	1412	1852	2302	2752
DIMENSION (C) mm	150	300	300	300	300	300	300	300
DIMENSION (D) mm	350	350	350	350	432	432	432	432

\* Refer to warranty card for details.

Freecall 1800 302 050 Phone: +61 3 9720 2888 Fax: +61 3 9720 2026  
[sales@wilsonhotwater.com.au](mailto:sales@wilsonhotwater.com.au) [www.wilsonhotwater.com.au](http://www.wilsonhotwater.com.au)

